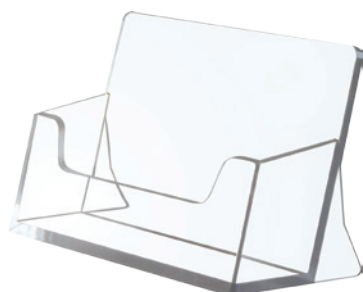




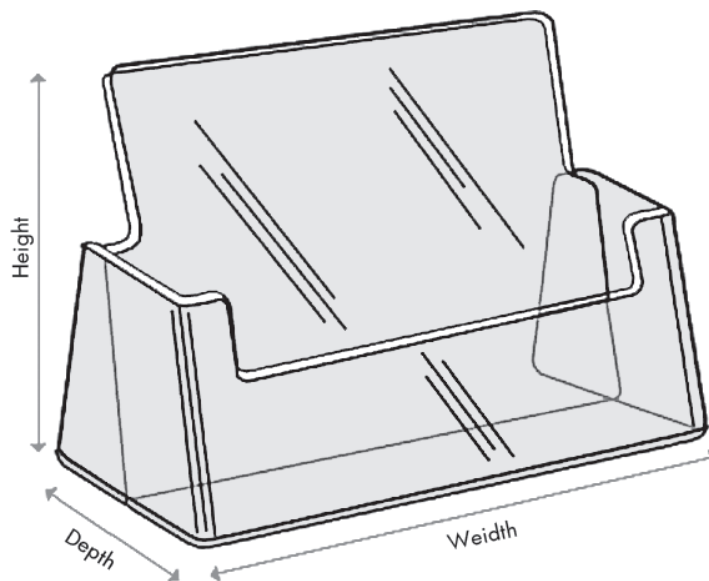
## TECHNICAL GUIDE





1211 - 7515 - VERTICAL




1212 - 7509 - HORIZONTAL



 Business card holder made of transparent acrylic material, injection moulded.

 Visitenkartenhalter aus Transparenten spritzgussgeformtem Polystyrol hergestellt.

 Visitkortholder produceret i transparent sprøjetstøbt polystyren.



Model	Art. no.	Capacity	Colour	Total W x H x D	Package size and weight	Pallet size and quantity
1211	7515	5,5 x 9,0 cm Vertical	Transparent	6,5 x 7 x 3,9 cm	29 x 54 x 21 cm (280 pcs.) 0,1 kg	80 x 120 x 125 cm 8400 pcs.
1212	7509	9,0 x 5,5 cm Horizontal	-	9,5 x 5,5 x 3,9 cm	25 x 35 x 9 cm (40 pcs.) 0,1 kg	80 x 120 x 125 cm 4680 pcs.