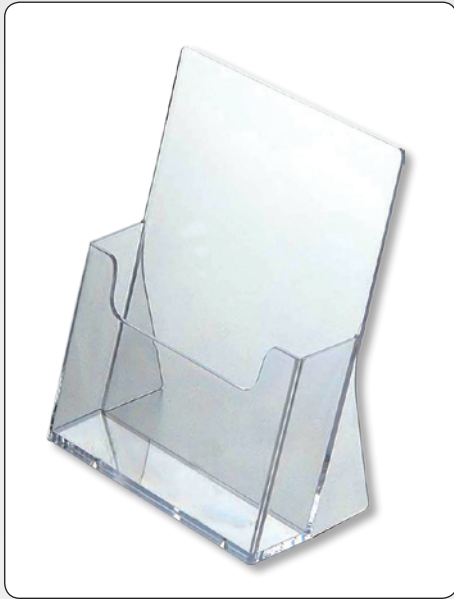


1207 | Acrylic Table Dispenser



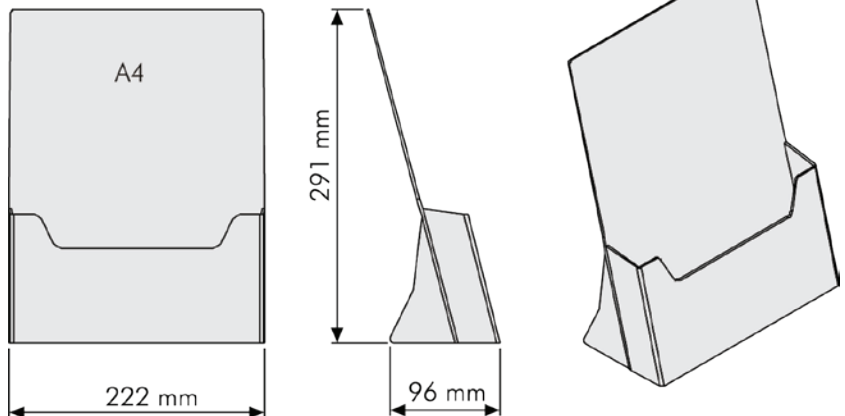
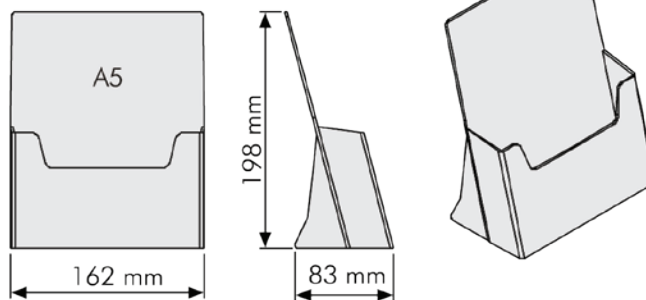
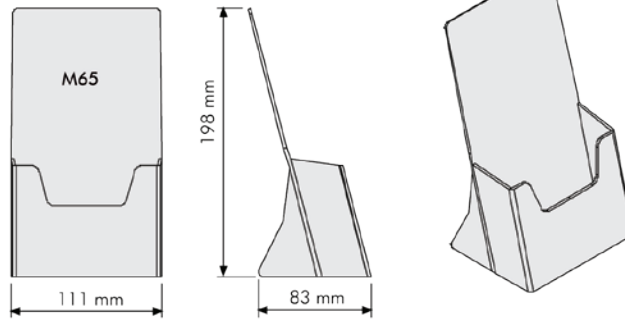
TECHNICAL GUIDE



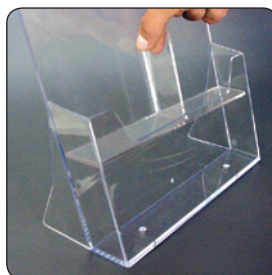
Brochure holder made of transparent polystyrene, injection moulded. Free standing.

Prospekthalter aus transparenten spritzgussgeformten Polystyrol hergestellt. Freistehend.

Brochureholder produceret i transparent sprøjtetøbt polystyren. Fritstående.



USE THE T-SEPARATOR FOR ART. 2752 (A4) AND GET 2 PCS. M65 ROOMS



Art. no.	Size (inside the box)	Capacity	Colour	Total W x H x D	Package size and weight	Pallet size and quantity
2750	10,5 x 21 cm	M65	Transparent	11,1 x 19,8 x 8,3 cm	48 x 64 x 21 cm (50 pcs.) 0,2 kg	80 x 125 x 180 cm 1050 pcs.
2751	14,8 x 21 cm	A5	-	16,2 x 8,3 x 19,8 cm	52 x 63 x 25 cm (40 pcs.) 0,3 kg	80 x 125 x 180 cm 720 pcs.
2752	21 x 29,7 cm	A4	-	22,2 x 29,1 x 9,6 cm	52 x 63 x 25 cm (20 pcs.) 0,4 kg	80 x 125 x 180 cm 360 pcs.
2749	T-separator (for A4)	-	-	-	45 x 24 x 8 cm (20 pcs.) 0,1 kg	-