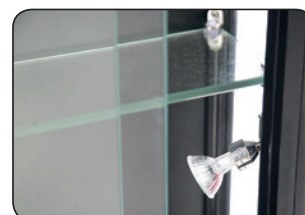
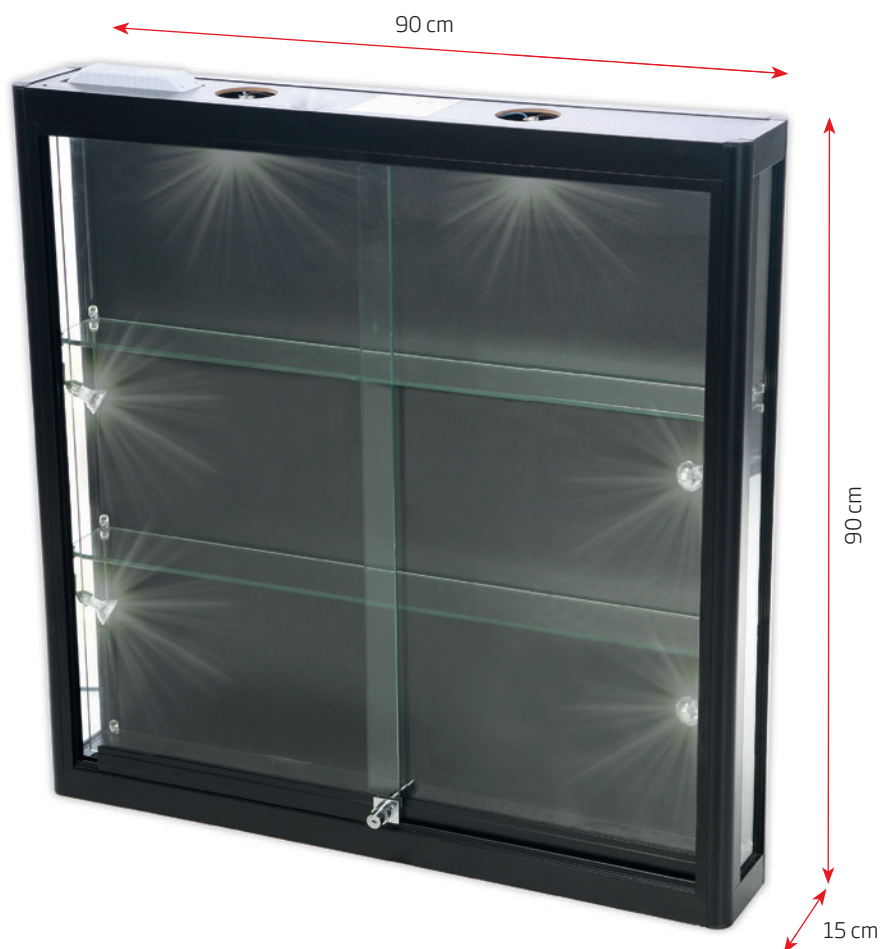




🇬🇧 Exclusive glass cabinet for wall mounting in aluminum profiles (silver or black) and tempered glass and with 2 pcs. 7 mm glass shelves. Fitted with 4 spots in the side + 2 in top. Sliding doors are lockable.

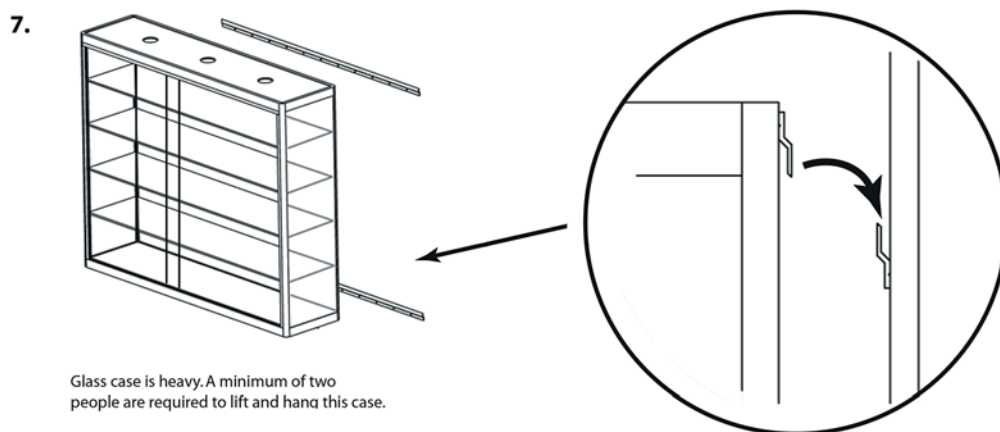
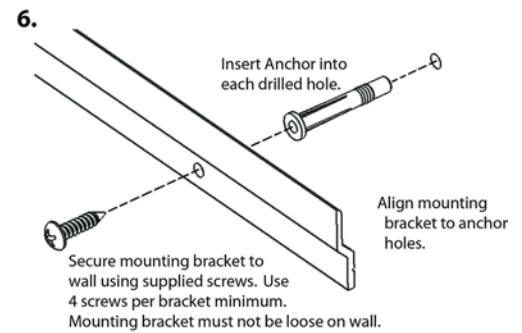
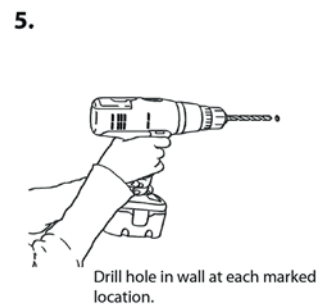
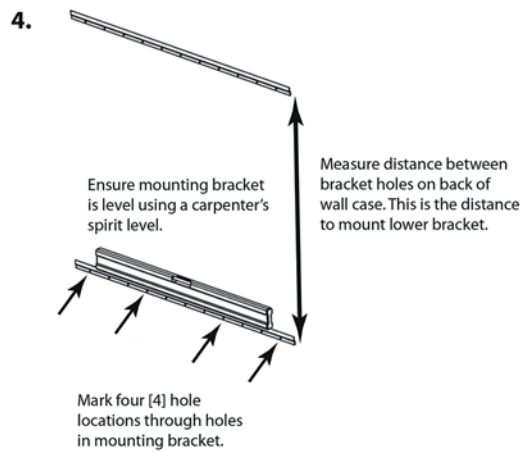
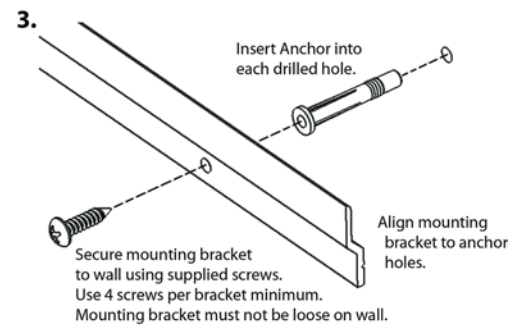
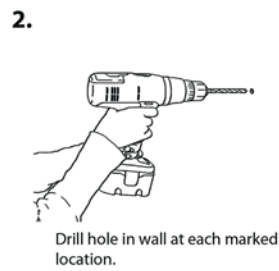
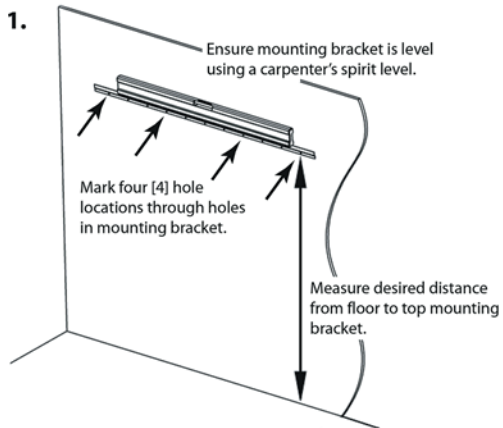
🇩🇪 Exklusiver Vitrine für Wandmontage - aus Aluminiumprofilen (silber oder schwarz) und gehärtetem Glas und mit 2 Stück 7 mm Glasablagen. Ausgestattet mit 4 Leuchten in der Seite + 2 in Top. Schiebetüren sind abschließbar.

🇩🇰 Eksklusivt vitrineskab til vægophæng, produceret i aluprofiler (sølv eller sort) og hærdet glas med 2 stk. 7 mm glashylder. Monteret med 4 spot + 2 i toppen. Skydelågerne er med lås.



Model	Art. no.	Total W x H x D	Weight	Colour	Package size and weight	Pallet size and quantity
1052	8418	90 x 90 x 15 cm	23 kg	Silver	98 x 105 x 23 cm 38 kg	80 x 116 x 120 cm 3 pcs.
1053	8419	90 x 90 x 15 cm	23 kg	Black	98 x 105 x 23 cm 38 kg	80 x 116 x 120 cm 3 pcs.

## Wall mounting of Showcase Wall



Lift case just above mounting brackets on wall. Push case to wall and slowly lower case onto brackets. Visually check that both brackets on case are seated on both mounting brackets on wall before releasing case.



**IMPORTANT!**  
**Two Person Lift**

